

1/17/2024 2:01 PM  
z:\projects\croft\croft\dwg\128821\crof020\fb23.dwg

# CROFT, LLC.

## SERIES 30 FIXED PICTURE WINDOW (NON-HVHZ) (NON-IMPACT)



1800 NORTH CLARK AVE.  
MAGNOLIA, MS 39652  
PH.: 601-684-6121 FX: 601-783-3188

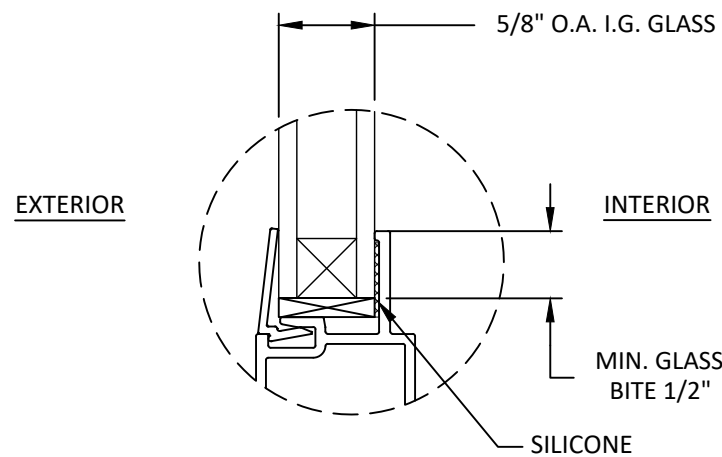
**TITLE:** SERIES 30 FIXED PICTURE WINDOW (NON-HVHZ)(NON-IMPACT)  
**GENERAL NOTES & GLAZING DETAIL**

**PREPARED BY:** BUILDING DROPS, INC.  
1900 NE MIAMI CT UNIT 2-15  
MIAMI, FL 33132  
PH: (954)399-8478  
FAX: (954)744-4738  
WEB: www.buildingdrops.com



**GENERAL NOTES:**

- THE PRODUCT SHOWN HEREIN IS DESIGNED AND MANUFACTURED TO COMPLY WITH THE CURRENT EDITION FLORIDA BUILDING CODE (FBC), EXCLUDING HVHZ AND HAS BEEN EVALUATED ACCORDING TO THE FOLLOWING:
  - AAMA/WDMA/CSA 101/I.S.2/A440-08
- ADEQUACY OF THE EXISTING STRUCTURAL CONCRETE/MASONRY, 2X FRAMING, AND METAL FRAMING AS A MAIN WIND FORCE RESISTING SYSTEM CAPABLE OF WITHSTANDING AND TRANSFERRING APPLIED PRODUCT LOADS TO THE FOUNDATION IS THE RESPONSIBILITY OF THE ENGINEER OR ARCHITECT OF RECORD FOR THE PROJECT OF INSTALLATION.
- 1X AND 2X BUCKS (WHEN USED) SHALL BE DESIGNED AND ANCHORED TO PROPERLY TRANSFER ALL LOADS TO THE STRUCTURE. BUCK DESIGN AND INSTALLATION IS THE RESPONSIBILITY OF THE ENGINEER OR ARCHITECT OF RECORD FOR THE PROJECT OF INSTALLATION.
- THE INSTALLATION DETAILS DESCRIBED HEREIN ARE GENERIC AND MAY NOT REFLECT ACTUAL CONDITIONS FOR A SPECIFIC SITE. IF SITE CONDITIONS CAUSE INSTALLATION TO DEVIATE FROM THE REQUIREMENTS DETAILED HEREIN, A LICENSED ENGINEER OR ARCHITECT SHALL PREPARE SITE SPECIFIC DOCUMENTS FOR USE WITH THIS DOCUMENT IN NON-HVHZ AREAS.
- APPROVED IMPACT PROTECTIVE SYSTEM **IS REQUIRED** ON THIS PRODUCT IN AREAS REQUIRING IMPACT RESISTANCE.
- WINDOW FRAME MATERIAL: PVC
- GLASS SHALL MEET THE REQUIREMENTS OF ASTM E 1300. SEE SHEET 1 FOR GLAZING DETAILS.



**GLAZING DETAIL**

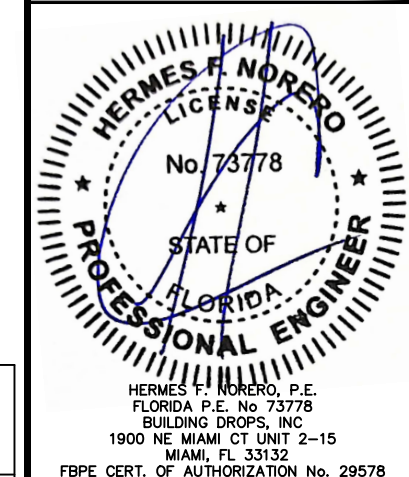
**GLAZING NOTES:**

- GLASS TYPE & THICKNESS SHALL COMPLY WITH ASTM E1300 REQUIREMENTS AS WELL AS APPLICABLE SAFETY GLAZING REQUIREMENTS PER THE FBC. TEMPER AND SAFETY GLAZING REQUIREMENTS SHALL BE REVIEWED ON A SITE SPECIFIC BASIS.
- SETTING BLOCK DUROMETER HARDNESS OF 70-90 (SHORE A) AS REFERENCED IN FBC CHAPTER 24.
- SETTING BLOCKS TO BE LOCATED AT 1/4 SPAN LENGTH FOR GLASS WIDER THAN 36" AS PER FBC CHAPTER 24.
- D.L.O. AND DESIGN PRESSURES MAY NOT EXCEED MAX VALUES IN DESIGN PRESSURE TABLE ON SHEET 1.

TABLE OF CONTENTS	
SHEET	SHEET DESCRIPTION
1	GENERAL NOTES & GLAZING DETAIL
2	ELEVATION & ANCHOR LAYOUT
3	VERTICAL SECTION
4	HORIZONTAL SECTION
5	ANCHOR DETAIL & INSTALLATION NOTES

MAX OVERALL SIZE		MAX D.L.O. SIZE		CONFIG.	DESIGN PRESSURE	MISSILE IMPACT RATING
WIDTH	HEIGHT	WIDTH	HEIGHT			
72"	72"	66-3/4"	66-3/4"	O	+30.0 / -30.0 PSF	NON IMPACT

THE INSTALLATION DETAILS DESCRIBED HEREIN ARE GENERIC AND MAY NOT REFLECT ACTUAL CONDITIONS FOR A SPECIFIC SITE. IF SITE CONDITIONS CAUSE INSTALLATION TO DEVIATE FROM THE REQUIREMENTS DETAILED HEREIN, A LICENSED ENGINEER OR ARCHITECT SHALL PREPARE SITE SPECIFIC DOCUMENTS FOR USE WITH THIS DOCUMENT.



**FL #:** FL28821

**DATE:** 01.11.19

**DWG. BY:** HR      **CHK. BY:** HFN

**SCALE:** NTS

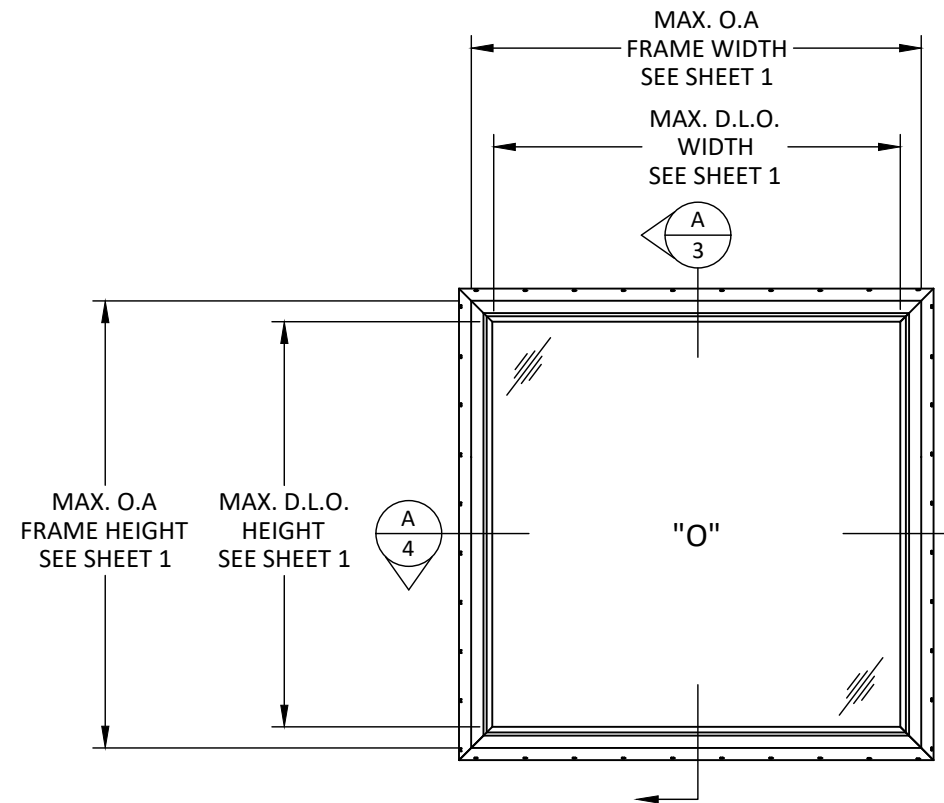
**DWG. #:** CRF020

**SHEET**

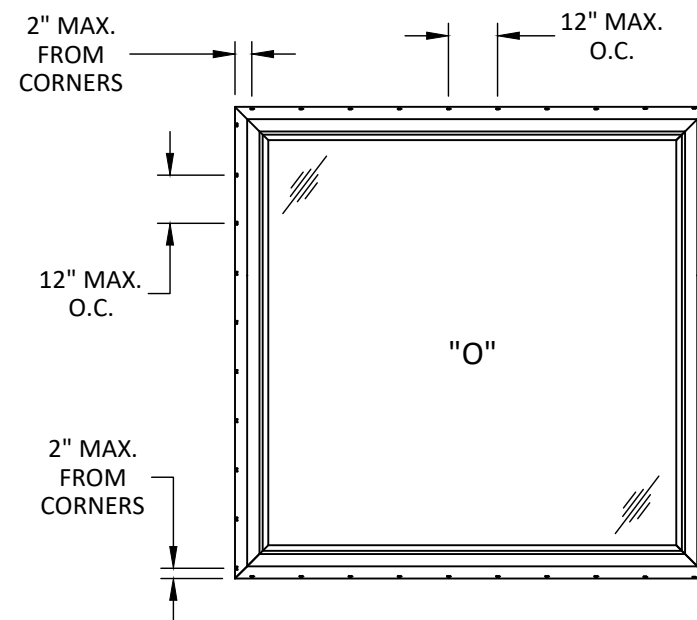
1

OF 5

1/17/2024 2:01 PM  
 z:\projects\crof.lic\bc-23-1126 - fbc submittal - nami update\dwgs\128821\crf020 fbc23.dwg



**ELEVATION**  
 PICTURE WINDOW



**ANCHOR LAYOUT**  
 NAIL FIN - PICTURE WINDOW

**CROFT**  
 Est. 1920  
 1800 NORTH CLARK AVE.  
 MAGNOLIA, MS 39652  
 PH.: 601-684-6121 FX: 601-783-3188

TITLE: **SERIES 30 FIXED PICTURE WINDOW (NON-HVHZ)/(NON-IMPACT) ELEVATION AND ANCHOR LAYOUT**

PREPARED BY: **BUILDING DROPS, INC.**  
 1900 NE MIAMI CT UNIT 2-15  
 MIAMI, FL 33132  
 PH: (954)399-8478  
 FAX: (954)744-4738  
 WEB: www.buildingdrops.com

**BD**  
 BUILDING DROPS

REMARKS	BY	DATE

THE INSTALLATION DETAILS DESCRIBED HEREIN ARE GENERIC AND MAY NOT REFLECT ACTUAL CONDITIONS FOR A SPECIFIC SITE. IF SITE CONDITIONS CAUSE INSTALLATION TO DEVIATE FROM THE REQUIREMENTS DETAILED HEREIN, A LICENSED ENGINEER OR ARCHITECT SHALL PREPARE SITE SPECIFIC DOCUMENTS FOR USE WITH THIS DOCUMENT.

HERMES F. NORERO, P.E.  
 FLORIDA P.E. No. 73778  
 BUILDING DROPS, INC.  
 1900 NE MIAMI CT UNIT 2-15  
 MIAMI, FL 33132  
 FBPE CERT. OF AUTHORIZATION No. 29578

FL #: **FL28821**

DATE: **01.11.19**

DWG. BY: **HR**      CHK. BY: **HFN**

SCALE: **NTS**

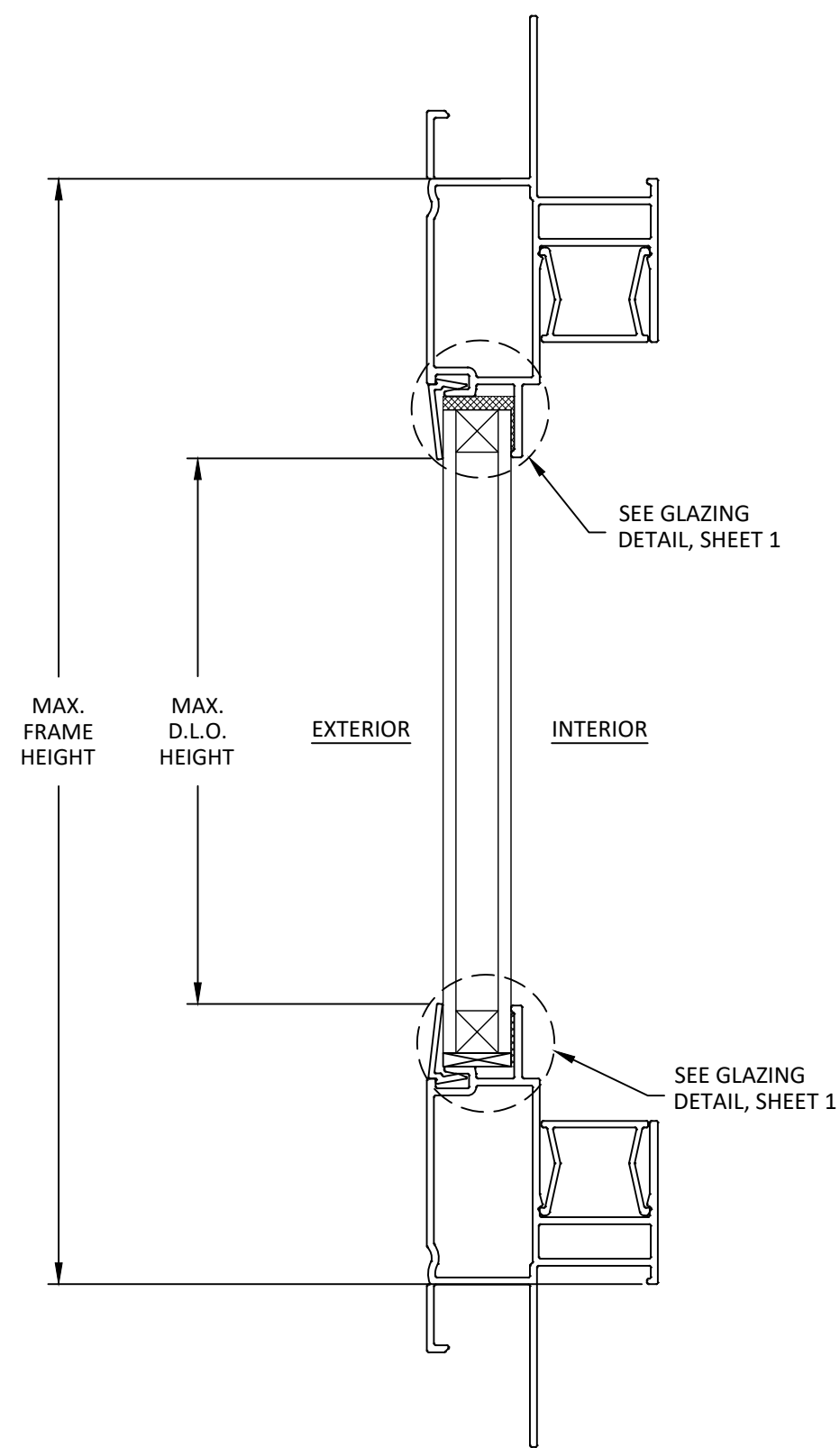
DWG. #: **CRF020**

SHEET

**2**

OF 5

1/17/2024 2:01 PM  
 z:\projects\crof.lic\fbrc-23-1126 - fbc submittal - nami update\dwgs\fbrc23-1126 - fbc submittal - nami update\crf020 fbrc23.dwg



**A**  
**3**

**VERTICAL SECTION**  
 NAIL FIN INSTALLATION



1800 NORTH CLARK AVE.  
 MAGNOLIA, MS 39652  
 PH.: 601-684-6121 FX: 601-783-3188

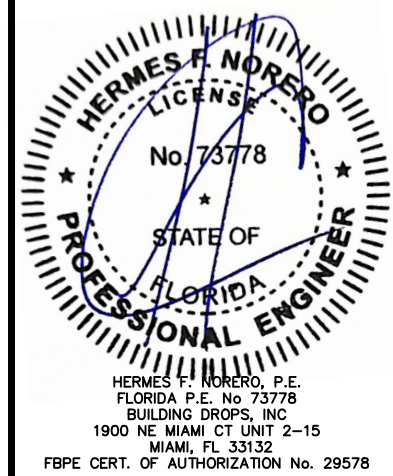
TITLE: **SERIES 30 FIXED PICTURE WINDOW (NON-HVHZ)/(NON-IMPACT) VERTICAL SECTION**

PREPARED BY: **BUILDING DROPS, INC.**  
 1900 NE MIAMI CT UNIT 2-15  
 MIAMI, FL 33132  
 PH: (954)399-8478  
 FAX: (954)744-4738  
 WEB: www.buildingdrops.com



REMARKS	BY	DATE

THE INSTALLATION DETAILS DESCRIBED HEREIN ARE GENERIC AND MAY NOT REFLECT ACTUAL CONDITIONS FOR A SPECIFIC SITE. IF SITE CONDITIONS CAUSE INSTALLATION TO DEVIATE FROM THE REQUIREMENTS DETAILED HEREIN, A LICENSED ENGINEER OR ARCHITECT SHALL PREPARE SITE SPECIFIC DOCUMENTS FOR USE WITH THIS DOCUMENT.



FL #: **FL28821**

DATE: **01.11.19**

DWG. BY: **HR**      CHK. BY: **HFN**

SCALE: **NTS**

DWG. #: **CRF020**

SHEET  
**3**  
 OF 5

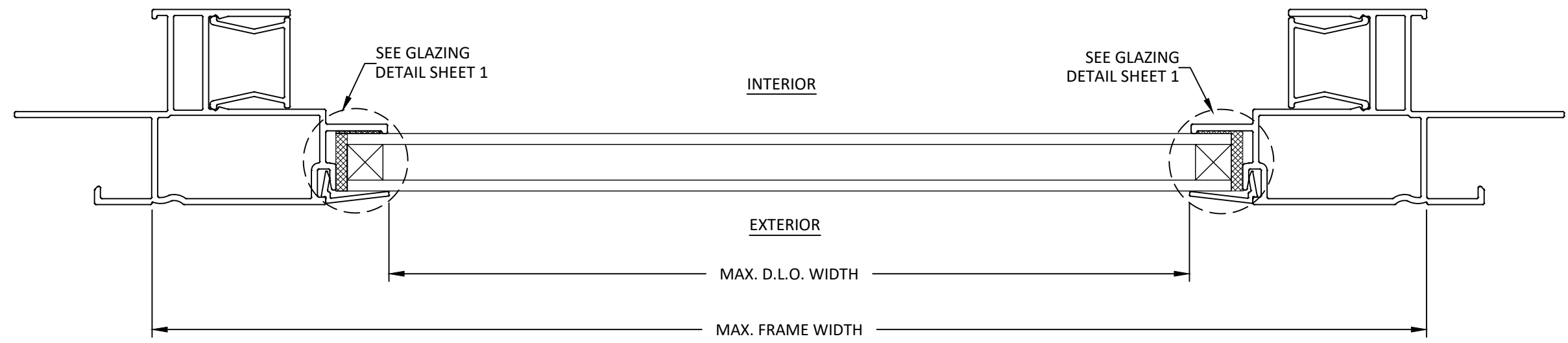
1/17/2024 2:01 PM  
z:\projects\crof.lic\fbrc-23-1126 - fbc submittal - nami update\dwgs\fbrc23-1126 - fbc submittal - nami update\fbrc23.dwg



1800 NORTH CLARK AVE.  
MAGNOLIA, MS 39652  
PH.: 601-684-6121 FX: 601-783-3188

TITLE: SERIES 30 FIXED  
PICTURE WINDOW  
(NON-HVHZ)/(NON-IMPACT)  
HORIZONTAL SECTION

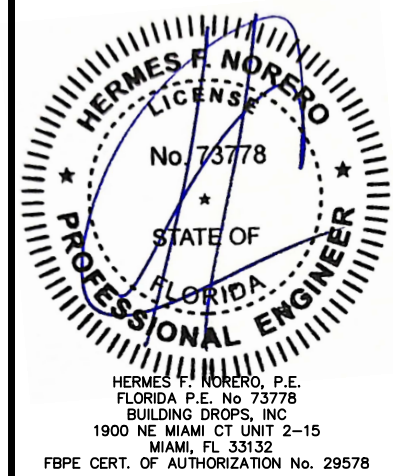
PREPARED BY:  
**BD**  
BUILDING DROPS  
BUILDING DROPS, INC.  
1900 NE MIAMI CT UNIT 2-15  
MIAMI, FL 33132  
PH: (954) 399-8478  
FAX: (954) 744-4738  
WEB: www.buildingdrops.com



**A**  
**4** **HORIZONTAL SECTION**  
NAIL FIN INSTALLATION

REMARKS	BY	DATE

THE INSTALLATION DETAILS DESCRIBED HEREIN ARE GENERIC AND MAY NOT REFLECT ACTUAL CONDITIONS FOR A SPECIFIC SITE. IF SITE CONDITIONS CAUSE INSTALLATION TO DEVIATE FROM THE REQUIREMENTS DETAILED HEREIN, A LICENSED ENGINEER OR ARCHITECT SHALL PREPARE SITE SPECIFIC DOCUMENTS FOR USE WITH THIS DOCUMENT.



HERMES F. NORERO, P.E.  
FLORIDA P.E. No. 73778  
BUILDING DROPS, INC.  
1900 NE MIAMI CT UNIT 2-15  
MIAMI, FL 33132  
FBPE CERT. OF AUTHORIZATION No. 29578

FL #: **FL28821**

DATE: **01.11.19**

DWG. BY: **HR**      CHK. BY: **HFN**

SCALE: **NTS**

DWG. #: **CRF020**

SHEET  
**4**  
OF 5

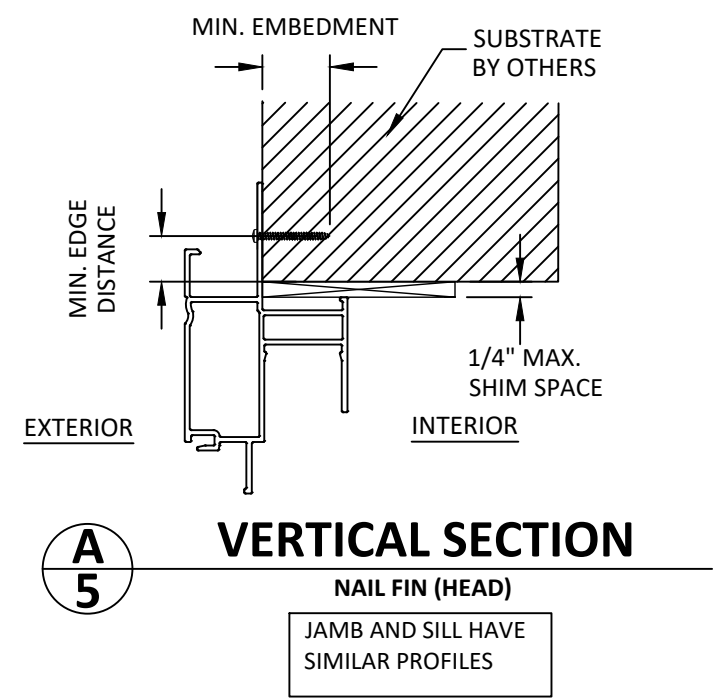
1/17/2024 2:01 PM  
z:\projects\crof.lic\bc-23-1126-fbc-submittal-nami update\dwg\128821\crf020\bc23.dwg



1800 NORTH CLARK AVE.  
MAGNOLIA, MS 39652  
PH.: 601-684-6121 FX: 601-783-3188

TITLE: **SERIES 30 FIXED PICTURE WINDOW (NON-HVHZ)/(NON-IMPACT)**  
ANCHOR DETAIL & INSTALLATION NOTES

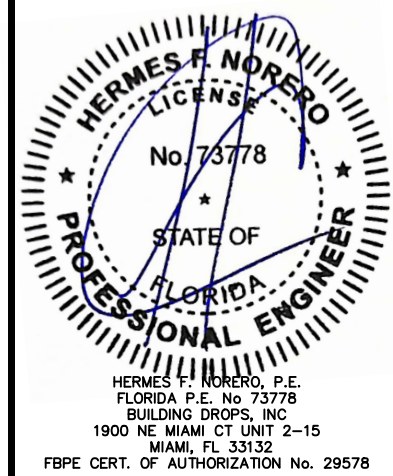
PREPARED BY: **BUILDING DROPS, INC.**  
1900 NE MIAMI CT UNIT 2-15  
MIAMI, FL 33132  
PH: (954) 399-8478  
FAX: (954) 744-4738  
WEB: www.buildingdrops.com

**A**  
**5**  
**VERTICAL SECTION**  
NAIL FIN (HEAD)  
JAMB AND SILL HAVE SIMILAR PROFILES

REMARKS	BY	DATE

THE INSTALLATION DETAILS DESCRIBED HEREIN ARE GENERIC AND MAY NOT REFLECT ACTUAL CONDITIONS FOR A SPECIFIC SITE. IF SITE CONDITIONS CAUSE INSTALLATION TO DEVIATE FROM THE REQUIREMENTS DETAILED HEREIN, A LICENSED ENGINEER OR ARCHITECT SHALL PREPARE SITE SPECIFIC DOCUMENTS FOR USE WITH THIS DOCUMENT.



FL #: **FL28821**

DATE: **01.11.19**

DWG. BY: **HR**      CHK. BY: **HFN**

SCALE: **NTS**

DWG. #: **CRF020**

SHEET  
**5**  
OF 5

**INSTALLATION NOTES:**

- ONE (1) INSTALLATION ANCHOR IS REQUIRED AT EACH ANCHOR LOCATION SHOWN.
- THE NUMBER OF INSTALLATION ANCHORS DEPICTED IS THE MINIMUM NUMBER OF ANCHORS TO BE USED FOR PRODUCT INSTALLATION OF THE MAXIMUM SIZE LISTED.
- INSTALL INDIVIDUAL INSTALLATION ANCHORS WITHIN A TOLERANCE OF ±1/2 INCH THE DEPICTED LOCATION & SPACING IN THE ANCHOR LAYOUT DETAILS (I.E., WITHOUT CONSIDERATION OF TOLERANCES). TOLERANCES ARE NOT CUMULATIVE FROM ONE INSTALLATION ANCHOR TO THE NEXT.
- SHIM AS REQUIRED WITH LOAD BEARING SHIM(S) TO ACHIEVE A SQUARE AND PLUMB INSTALLATION. MAXIMUM ALLOWABLE SHIM STACK TO BE 1/4 INCH. SHIM WHERE SPACE OF 1/16 INCH OR GREATER OCCURS. SHIM(S) SHALL BE CONSTRUCTED OF HIGH DENSITY PLASTIC OR BETTER.
- MINIMUM EMBEDMENT AND EDGE DISTANCE EXCLUDE WALL FINISHES, INCLUDING BUT NOT LIMITED TO STUCCO, FOAM, BRICK VENEER, AND SIDING.
- INSTALLATION ANCHORS AND ASSOCIATED HARDWARE MUST BE MADE OF CORROSION RESISTANT MATERIAL OR HAVE A CORROSION RESISTANT COATING.
- INSTALLATION ANCHORS SHALL BE INSTALLED IN ACCORDANCE WITH ANCHOR MANUFACTURER'S INSTALLATION INSTRUCTIONS, AND ANCHORS SHALL NOT BE USED IN SUBSTRATES WITH STRENGTHS LESS THAN THE MINIMUM STRENGTH SPECIFIED BY THE ANCHOR MANUFACTURER.

ANCHOR SCHEDULE				
METHOD	SUBSTRATE	ANCHOR TYPE	MIN EMBEDMENT	MIN. EDGE DISTANCE
NAILING FIN	WOOD: MIN. SG = 0.55	#8 WOOD SCREW PAN HEAD	1.5"	0.75"
	METAL: 18 GAUGE Steel, MIN. Fy = 33KSI	#8 SMS OR SELF DRILLING SCREWS	3 THREADS MIN PENETRATION BEYOND METAL	0.50"